

GEKKO G1

DATASHEET | SPECIFICATIONS



FOTOGALERIE



GEKKO s PIR čidlem



CHARACTERISTIC

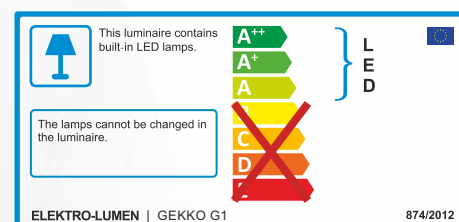
Indoor LED lamp designed for mounting on the ceiling or into plasterboard.

USE

Interior Corridors sanitary facilities

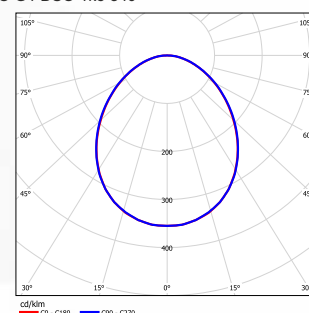


TECHNICAL SPECIFICATIONS	
ELECTRICAL PARAMETERS	
Light source	» LED
AC voltage	» AC 230 V / 50 Hz
Connection	» terminal block
Driver	» electronic driver
Dimming	» non-dimmable (not labeled) » DALI (DALI) » corridor function (EPS-C) » DALI (DALI)
Emergency module	» NO
LIGHT PARAMETERS	
Optical system	» diffuser
Light distribution	» direct
Color rendering index	» Ra > 80
Color temperature	» 3 000 K » 4 000 K
Service life	» > 60 000 hod. (L90)
CONSTRUCTION	
Housing	» powder-coated steel sheet
Color	» RAL 9003 » RAL other (on order)
Surface	» matte
Cover	» opal (DPO) » microprisma (DMPP)
SAFETY	
Protection class	» I
Ambient operating temperature	» max. +5 / +35 °C
Ingress protection	» IP 40
Impact protection	» IP 40
Fire hazard	» YES
MOUNTING	
Type	» by inserting » into plasterboard (S)
Recommended height	» max up to 5 m
ACCESSORIES	
Clips	» NO
Mounting accessories	» NO



LIGHT DISTRIBUTION CURVE

GEKKO G1 DSO 1k5 840



VARIANTS

DATASHEET GEKKO G1

TYPE	POWER (W)	LUMINOUS FLUX	COLOR TEMPERATURE	SERVICE LIFE	WEIGHT
Name	Watt (W)	Lumen (lm)	Kelvin (K)	L90 (hod.)	Kilogram (kg)
GEKKO G1 ... 1k4 830	10	1 400	3 000	> 60 000	2,5
GEKKO G1 ... 1k9 830	14	1 900	3 000	> 60 000	2,5
GEKKO G1 ... 2k4 830	18	2 400	3 000	> 60 000	2,5
GEKKO G1... 1k5 840	10	1 500	4 000	> 60 000	2,5
GEKKO G1... 2k0 840	14	2 000	4 000	> 60 000	2,5
GEKKO G1... 2k5 840	18	2 500	4 000	> 60 000	2,5

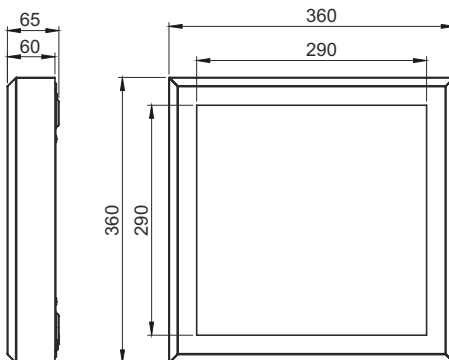
LEGENDA

GEKKO G1 S DPO 1k5 840 DALI

	name
	to plasterboard (S)
	opal (DPO)
	luminous flux 1 500 lm
	color rendering index Ra >90, color temperature 4 000 K
	dimming DALI (DALI)

DIMENSIONS

GEKKO G1



GEKKO S G1

