



LAMIA S

DATASHEET | SPECIFICATIONS



TECHNICAL SPECIFICATIONS

ELECTRICAL PARAMETERS

Light source	» LED
AC voltage	» AC 230 V / 50 Hz
Connection	» terminal block
Driver	» electronic driver
Dimming	» non-dimmable (not labeled) » DALI (DALI) » corridor function (COR) » SwitchDim (SD)
Emergency module	» no module (no label) » integrated emergency module, the autonomy of 1 hours (NM1)

LIGHT PARAMETERS

Optical system	» diffuser
Light distribution	» direct
Color rendering index	» Ra > 80 » RA > 90
Color temperature	» 3 000 K » 4 000 K
Service life	» > 80 000 hod. (L90)

CONSTRUCTION

Housing	» powder-coated steel sheet
Color	» RAL 9003
Surface	» matte
Cover	» microprisma (DMPP)

SAFETY

Protection class	» I
Ambient operating temperature	» max. +5 / +35 °C
Electrical part protection	» IP 20
Optical part protection	» IP 40
Fire hazard	» Not suitable for covering with thermal insulation material

MOUNTING

Type	» designed for plasterboard ceilings (cut-out dimension in plasterboard 580x580 mm)
Recommended height	» max up to 5 m

ACCESSORIES

Clips	» NO
Mounting accessories	» NO

CHARACTERISTIC

A highly efficient LED light fixture designed for plasterboard ceilings with a large light-emitting surface and low glare.

USE

- Offices
- Corridors
- Interior
- Classrooms
- Commercial premises



This luminaire contains built-in LED lamps.

The lamps cannot be changed in the luminaire.

A++

A+

A

~~C~~

~~D~~

~~E~~

}

L

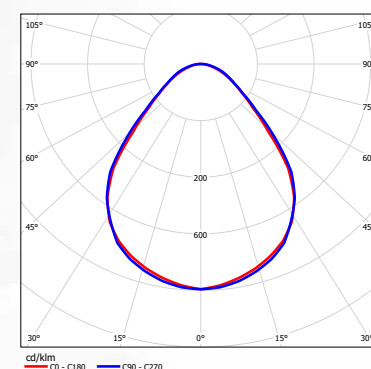
E

D

ELEKTRO-LUMEN | LAMIA S DMPP 874/2012

LIGHT DISTRIBUTION CURVE

LAMIA S DMPP



VARIANTS

DATASHEET LAMIA S

VARIANTS	POWER (W)				LUMINAIRE OUTPUT FLUX (lm)		LUMINAIRE EFFICIENCY (lm/W)	SERVICE LIFE (hrs.)	WEIGHT
	Color temperature (K)				min	max	Up to	L90	kg*
Catalog name	3000K (Ra 80)	3000K (Ra 90)	4000K (Ra 80)	4000K (Ra 90)					
LAMIA S DMPP 2k6	15	17,6	14,3	16,4	2 295	2 393	165,5	> 80 000	5.0
LAMIA S DMPP 3k3	19,2	21	17,6	20,1	2 931	3 030	168,7	> 80 000	5.0
LAMIA S DMPP 4k6	25,7	28,3	23,6	28,3	4 123	4 249	177,0	> 80 000	5.0
LAMIA S DMPP 5k6	31,4	35,4	28,3	34,5	5 011	5 172	177,1	> 80 000	5.0
LAMIA S DMPP 6k2	35,5	37,4	31,2	36,7	5 504	5 701	178,4	> 80 000	5.0
LAMIA S DMPP 7k3	41,8	44,8	37,2	43,3	6 571	6 840	177,1	> 80 000	5.0
LAMIA S DMPP 8k3	47,5	50,4	42,9	48,6	7 252	7 575	175,1	> 80 000	5.0

* The weight may vary slightly depending on the luminaire variant.

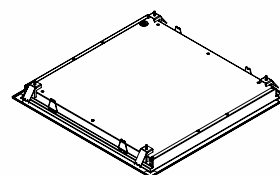
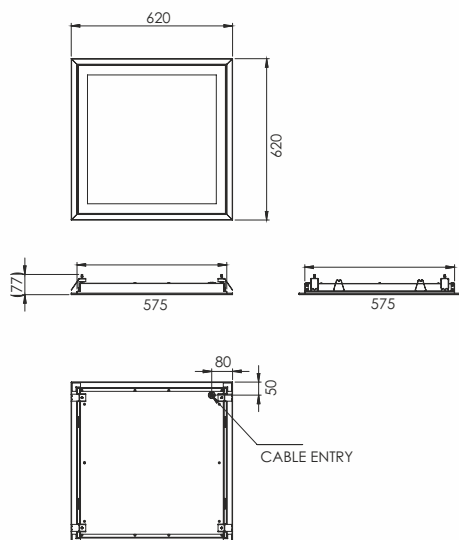
LEGEND

LAMIA S DMPP 4k6 840 DALI NM1

	name
	designed for plasterboard ceilings (cut-out dimension in plasterboard 580x580 mm)
	difuzor (DMPP)
	luminous flux 4 600 lm
	color rendering index Ra >90, color temperature 4 000 K
	DALI (DALI) or corridor (COR) or SwitchDim (SD)
integrated emergency module, the autonomy of 1 hours (NM1)	

DIMENSIONS

LAMIA S



CUT-OUT DIMENSION 580x580!