



QUADRA 54

DATASHEET | SPECIFICATIONS



TECHNICAL SPECIFICATIONS	
ELECTRICAL PARAMETERS	
Light source	» LED
AC voltage	» AC 230 V / 50 Hz
Connection	» terminal block
Driver	» electronic driver
Dimming	» NO » DALI (DALI)
Emergency module	» no module (no label) » integrated emergency module, the autonomy of 1 hour (M1) » integrated emergency module, the autonomy of 3 hours (M3)
LIGHT PARAMETERS	
Optical system	» opal (DPO) » microprism (DMPP)
Light distribution	» direct
Color rendering index	» Ra > 80
Color temperature	» 3 000 K » 4 000 K
Service life	» > 70 000 hours (L80B50)
CONSTRUCTION	
Housing	» powder-coated steel sheet
Color	» RAL 9003
Surface	» matte
Cover	» painted steel sheet
SAFETY	
Protection class	» II
Ambient operating temperature	» max. +5 / +35 °C
Ingress protection	» IP 20
Impact protection	» IP 54
Mounting on normally flammable materials	» YES
MOUNTING	
Type	» into the ceiling
Recommended height	» max up to 5 m
Cutout	» 210 × 210 mm
ACCESSORIES	
Clips	» NO
Mounting accessories	» NO

CHARACTERISTIC

Ceiling LED light for general use in interiors.

USE

- Office
- Corridors
- Gallery
- Sanitary facilities
- Commercial premises



This luminaire contains built-in LED lamps.

The lamps cannot be changed in the luminaire.

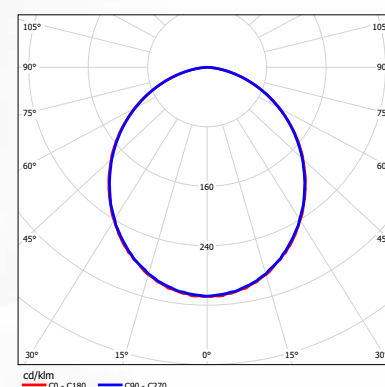
A++
A+
A
C
D

LED

ELEKTRO-LUMEN | QUADRA 54 874/2012

LIGHT DISTRIBUTION CURVE

QUADRA 54 DPO



VARIANTS

DATASHEET QUADRA 54

TYPE	POWER	LUMINOUS FLUX	COLOR TEMPERATURE	SERVICE LIFE	WEIGHT
name	Watt (W)	Lumen (lm)	Kelvin (K)	L80B50 (Std.)	Kilogram (kg)
QUADRA 54 ... 1k1 840	7,3	1 100	4 000	> 70 000	1,0
QUADRA 54 ... 1k6 840	10,1	1 600	4 000	> 70 000	1,0
QUADRA 54 ... 2k0 840	13,2	2 000	4 000	> 70 000	1,0
QUADRA 54 ... 2k3 840	14,2	2 300	4 000	> 70 000	1,0

LEGEND

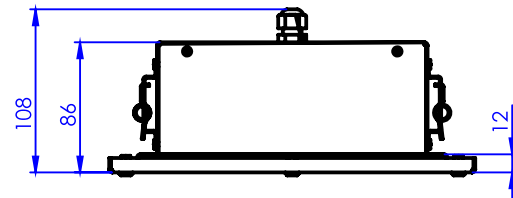
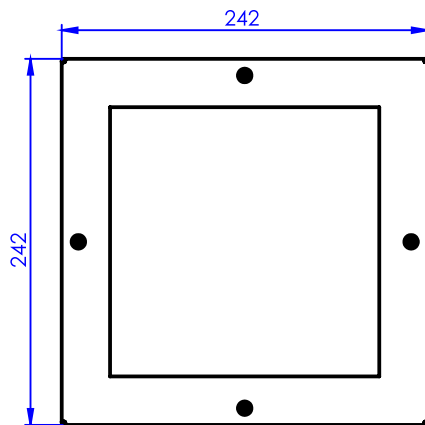
QUADRA 54 44 DPO 1k6 840 DALI M1

name	QUADRA 54 44 DPO 1k6 840 DALI M1
IP 44	
opal diffusor	
luminous flux 1 600 lm	
color rendering index Ra > 80, color temperature 4 000 K	
DALI (DALI)	
integrated emergency module, the autonomy of 1 hours (M1)	

Optical and electrical parameters tolerance +/- 10%.

DIMENSIONS

QUADRA 54



HOLE IN THE CEILING

