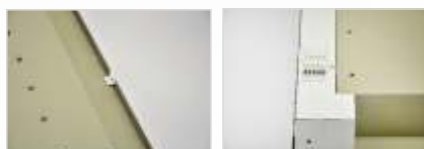


HAMSA G2

DATASHEET | SPECIFICATIONS



PHOTOS



TECHNICAL SPECIFICATIONS

ELECTRICAL PARAMETERS

Light source	» LED
AC voltage	» AC 230 V / 50 Hz
Connection	» terminal block
Driver	» electronic driver
Dimming	» non-dimmable (not labeled) » DALI (DALI) » corridor function (EPS-C)
Emergency module	» no module (no label) » integrated emergency module, the autonomy of 1 hour (M1) » integrated emergency module, the autonomy of 3 hours (M3)

LIGHT PARAMETERS

Optical system	» diffuser
Light distribution	» direct
Color rendering index	» Ra > 80 » Ra > 90
Color temperature	» 3 000 K » 4 000 K
Service life	» > 80 000 hod. (L80B20)

CONSTRUCTION

Housing	» powder-coated steel sheet
Color	» RAL 9003
Surface	» matte
Cover	» opal (DPO) » mikroprisma (DMPP)

SAFETY

Protection class	» I
Ambient operating temperature	» max. +5 / +35 °C
Ingress protection	» IP 20
Impact protection	» IP 40
Mounting on normally flammable materials	» » lamps unsuitable for covering with thermal insulation material

MOUNTING

Type	» to the ceiling M600 » to the ceiling M625 (M625) » to plasterboard (S)
Recommended height	» max up to 5 m

ACCESSORIES

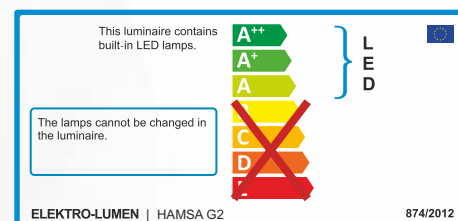
Clips	» NO
Mounting accessories	» NO

CHARACTERISTIC

Highly efficient LED light intended for ceiling soffits M600, M625 and plasterboard, with a large radiating flat and low glare.

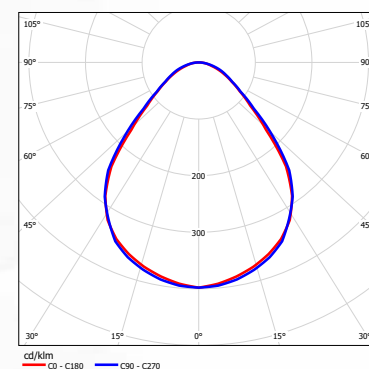
USE

- Offices
- Shops
- Corridors
- Classrooms
- Interiors



LIGHT DISTRIBUTION CURVE

HAMSA G2 DMPP 5k8 840



VARIANTS

DATASHEET HAMSA G2

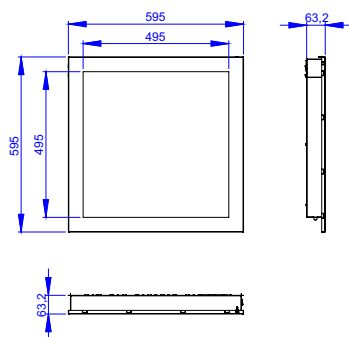
TYPE	POWER	LUMINOUS FLUX	COLOR TEMPERATURE	SERVICE LIFE	WEIGHT
Name	Watt (W)	Lumen (lm)	Kelvin (K)	L80B20 (hod.)	Kilogram (kg)
HAMSA G2... 2k3 840	13	2 300	4 000	> 80 000	4,7
HAMSA G2... 3k1 840	17	3 100	4 000	> 80 000	4,7
HAMSA G2... 4k2 840	25	4 300	4 000	> 80 000	4,7
HAMSA G2... 5k3 840	31	5 300	4 000	> 80 000	4,7
HAMSA G2... 5k8 840	34	5 800	4 000	> 80 000	4,7
HAMSA G2... 6k9 840	41	6 900	4 000	> 80 000	4,7
HAMSA G2... 8k0 840	49	8 000	4 000	> 80 000	4,7

LEGEND	
HAMSA G2 DPO 4k2 940 DALI M1	
	name
	opal diffuser (DPO)
	luminous flux 4 200 lm
	color rendering index Ra > 90, color temperature 4 000 K
	dimming DALI (DALI)
	integrated emergency module, the autonomy of 1 hours (M1)

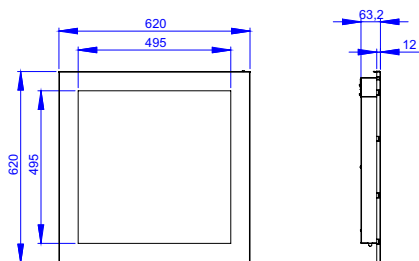
Optical and electrical parameters tolerance± 10%.

DIMENSIONS

HAMSA G2 M600



HAMSA G2 M625



HOLE IN PLASTERBOARD 580x580!

