

MENAKSI 54 G2

RAIL SYSTEM DATASHEET | SPECIFICATIONS



CHARACTERISTIC

Industrial LED light in IP54 protection, suitable for hanging or standing.

USE

- Industrial areas
- Libraries
- Schools
- Shops
- Warehouses
- Racking aisles

TECHNICAL SPECIFICATIONS

ELECTRICAL PARAMETERS

Light source	» LED
AC voltage	» AC 230 V / 50 Hz
Connection	» terminal block
Driver	» electronic driver
Dimming	» non-dimmable (not labeled) » DALI (DALI) » corridor function (EPS-C)
Emergency module	» No

LIGHT PARAMETERS

Optical system	» narrow beam (C) » wide beam (D) » extra narrow beam (CC)
Light distribution	» direct
Color rendering index	» Ra > 80
Color temperature	» 3000 K » 4 000 K
Service life	» > 100 000 Std. (L80B20)

CONSTRUCTION

Housing	» powder-coated steel sheet
Color	» RAL 9003
Cover	» Lacquered sheet metal » PMMA optics

SAFETY

Protection class	» I
Ambient operating temperature	» -5 / +40 °C
Electrical part protection	» IP 54
Optical part protection	» IP 54
Mounting on normally flammable materials	» YES

MOUNTING

Type	» suspension » surface mounted
Recommended height	» from 3 m to 20 m

ACCESSORIES

Clips	» NO
Mounting accessories	» hook suspension » bracket for surface mounting (on request) » Chains (on request)



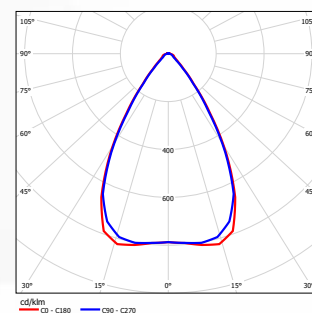
This luminaire contains built-in LED lamps.

The lamps cannot be changed in the luminaire.

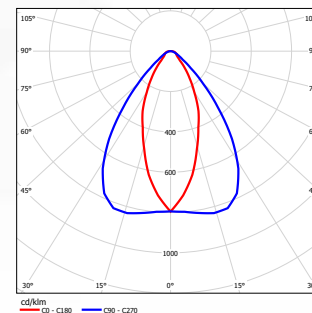
ELEKTRO-LUMEN | MENAKSI 54 G2 874/2012

LIGHT DISTRIBUTION CURVE

MENAKSI 54 G2 5 C 12k1 840



MENAKSI 54 G2 5 CC 12k1 840



VARIANTS

RAIL SYSTEM DATASHEET | SPECIFICATIONS

TYPE	POWER	LUMINOUS FLUX	COLOR TEMPERATURE	SERVICE LIFE	WEIGHT
NAME	Watt (W)	Lumen (lm)	Kelvin (K)	L80B20 (hrs.)	Kilogram (kg)
MENAKSI 54 G2 3 ... 6k1 840	36	6 100	4 000	> 100 000	4,5
MENAKSI 54 G2 3 ... 8k5 840	51	8 500	4 000	> 100 000	4,5
MENAKSI 54 G2 4 ... 10k3 840	62	10 300	4 000	> 100 000	7,0
MENAKSI 54 G2 4 ... 11k3 840	68	11 300	4 000	> 100 000	7,0
MENAKSI 54 G2 5 ... 10k8 840	62	10 800	4 000	> 100 000	7,0
MENAKSI 54 G2 5 ... 12k1 840	71	12 100	4 000	> 100 000	7,0
MENAKSI 54 G2 5 ... 12k9 840	76	12 900	4 000	> 100 000	7,0
MENAKSI 54 G2 5 ... 14k1 840	84	14 100	4 000	> 100 000	7,0

LEGEND

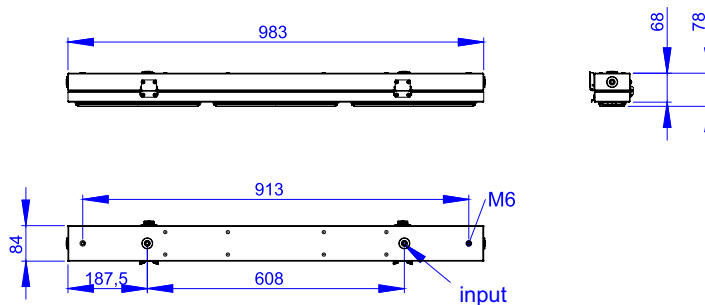
MENAKSI 54 G2 5 C 12k9 840 DALI

- name
- number of LED modules
- narrow beam
- luminous flux 12 900 lm
- color rendering index Ra > 80,color temperature 4 000 K
- DALI (DALI)

Optical and electrical parameters tolerance +/- 10%.

DIMENSIONS

MENAKSI 54 G2 3



MENAKSI 54 G2 5, MENAKSI 54 G2 4

