

MENAKSI G2

RAIL SYSTEM DATASHEET | SPECIFICATIONS



PHOTOS



TECHNICAL SPECIFICATIONS	
ELECTRICAL PARAMETERS	
Light source	» LED
AC voltage	» AC 230 V / 50 Hz
Connection	» terminal block
Driver	» electronic driver
Possibility of regulation	» non-dimmable (not labeled), DALI (DALI), corridor function (EPS-C)
Emergency module	» integrated emergency module, the autonomy of 1 hrs. (NM1)*
LIGHT PARAMETERS	
Optical system	» wide beam (C), narrow beam (D), racking aisles (CC)
Light distribution	» direct
Color rendering index	» Ra > 80
Color temperature	» 3 000 K, 4 000 K
Service life	» > 100,000 hrs. (L80B20)
CONSTRUCTION	
Housing	» galvanized sheet
Color	» zinc
Cover	» PMMA optics, galvanized sheet
SAFETY	
Protection class	» I
Ambient operating temperature	» +5 / +40 °C
Electrical part protection	» IP 20
Optical part protection	» IP 30
Mounting on normally flammable materials	» YES
MOUNTING	
Type	» suspension, surface mounted
Recommended height	» from 3 to 20 m
ACCESSORIES	
Clips	» NO
Suspension accessories	» suspension hook (on order) » cable suspension (on order) » chains (to order)

* Emergency module only for MENAKSI G2 variants 5 and 4 (length 1.5 m)

CHARACTERISTIC

Industrial LED lamp suitable for hanging or standing.

USE

- Industrial areas
- Libraries
- Schools
- Shops
- Warehouses
- Racking aisles



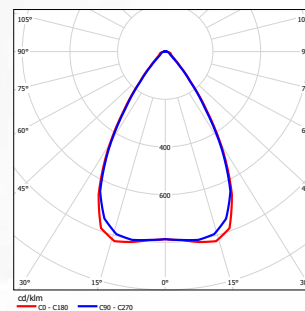
This luminaire contains built-in LED lamps. A++
A+
A
C
D } LED

The lamps cannot be changed in the luminaire.

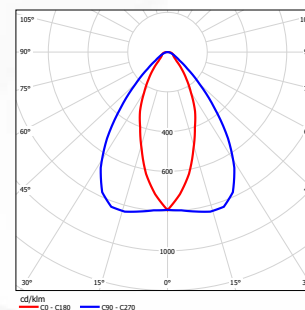
ELEKTRO-LUMEN | MENAKSI G2 874/2012

LIGHT DISTRIBUTION CURVE

MENAKA 54 G2 4 C 11k3



MENAKA 54 G2 4 CC 11k3



VARIANTS

RAIL SYSTEM DATASHEET | SPECIFICATIONS

TYPE	POWER	LUMINOUS FLUX	COLOR TEMPERATURE	SERVICE LIFE	WEIGHT
NAME	Watt (W)	Lumen (lm)	Kelvin (K)	L80 B20 (hrs.)	Kilogram (kg)
MENAKSI G2 2 ... 4k0 840	25	4 000	4 000	> 100 000	5,0
MENAKSI G2 3 ... 6k1 840	36	6 100	4 000	> 100 000	5,0
MENAKSI G2 3 ... 8k5 840	51	8 500	4 000	> 100 000	5,0
MENAKSI G2 4 ... 10k3 840	62	10 300	4 000	> 100 000	6,0
MENAKSI G2 4 ... 11k3 840	68	11 300	4 000	> 100 000	6,0
MENAKSI G2 5 ... 10k8 840	62	10 800	4 000	> 100 000	6,0
MENAKSI G2 5 ... 12k1 840	71	12 100	4 000	> 100 000	6,0
MENAKSI G2 5 ... 12k9 840	76	12 900	4 000	> 100 000	6,0
MENAKSI G2 5 ... 14k1 840	84	14 100	4 000	> 100 000	6,0

LEGEND

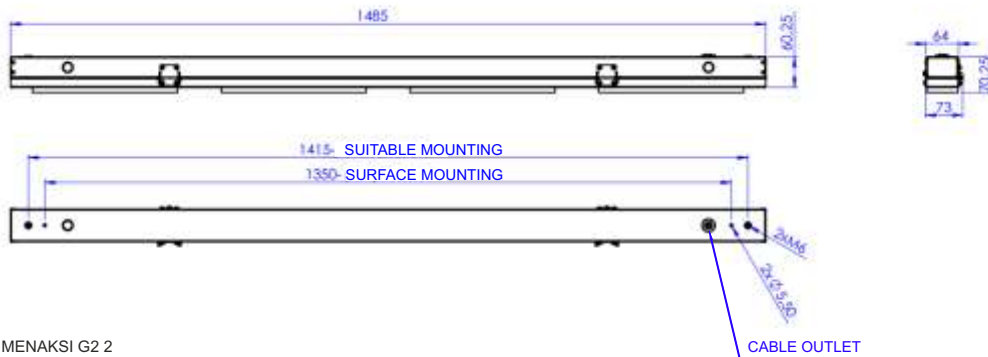
MENAKSI G2 5 C 12k1 840 DALI

	name
	number of LED modules
	narrow beam
	luminous flux 12 100 lm
	color rendering index Ra > 80, color temperature 4 000 K
	DALI (DALI)

Optical and electrical parameters tolerance $\pm 10\%$.

DIMENSIONS

MENAKSI G2 5, MENAKSI G2 4



MENAKSI G2 3, MENAKSI G2 2

