

MARUT S/L G2 ZL/ZP

DATASHEET | SPECIFICATIONS



CHARACTERISTIC

Modern outdoor pedestrian crossing LED luminaire.

USE

Pedestrian crossing

TECHNICAL SPECIFICATIONS

ELECTRICAL PARAMETERS

Light source	» LED
AC voltage	» AC 220–240 V / 50–60 Hz
Connection	» leading out cable » leading out cable with connector (G) » without cable (WO)
Driver	» electronic driver with surge protection L/N-Ground 10 kV
Surge protection	» additional surge protection 10 kV (S)
Fuse	» fuse 6,3 A (J)
Dimming	» non-dimmable (not labeled) » DALI (DALI) » night dimming (A) » preparation for wireless communication NEMA (N) » Zhaga (Z)
Constant lumen output	» CLO (C)

LIGHT PARAMETERS

Optical system	» pedestrian crossing (ZLxx/ZPxx)
Light distribution	» direct
Color rendering index	» Ra > 70 » Ra > 80
Color temperature	» 4 000 K » 5 000 K
Service life	» > 100 000 hours (L90B10)

CONSTRUCTION

Housing	» aluminum cast
Color	» RAL 7015/9006
Surface	» matte
Cover	» tempered glass

SAFETY

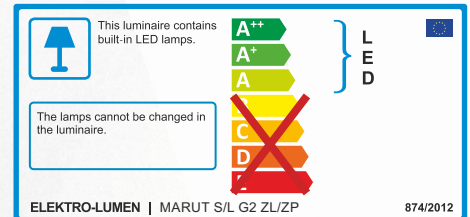
Protection class	» I » II
Ambient operating temperature	» -40 / +55 °C
Electrical part protection	» IP 66
Optical part protection	» IP 66
Mechanical durability	» IK 09 (EN 62262:2002)

EMC

	» EN 55015:2013 + A1:2015 / EN 61547:2009
	» EN 61000-3-2:2019 / EN 61000-3-3:2013 + A1:2019
	» EN 61000-4-5:2014 + A1:2018
	» EN 62493:2015
Vibration test	» EN 60598-1:2015 + A1:2019 art. 4.20 (EN 60068-2-6)
Corrosion test – Salty spray	» EN ISO 9227:2017 (1 000 hours)
Certification	» ENEC » ENEC+ » Zhaga-D4i » IDA Dark Sky Approved
CB mark	» YES

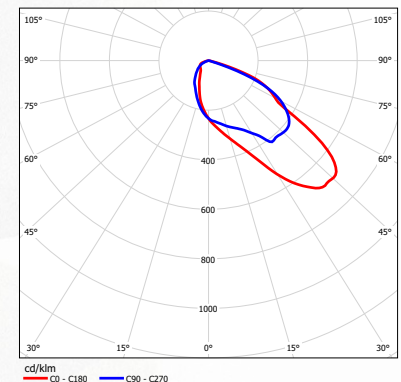
MOUNTING

Method	» pole or outrigger (48–60 mm) » adapter (60–76) (on request) » adjustable joint ± 15°
Recommended height	» up to 8/12 m



LIGHT DISTRIBUTION CURVE

MARUT S G2 ZP52 9k0 740

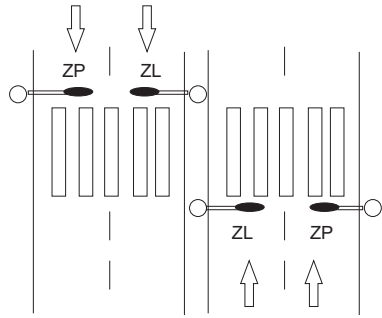


VARIANTS

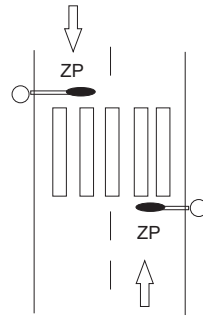
DATASHEET MARUT S/L G2 ZL/ZP

TYPE	POWER (W)		TYPICAL LUMINOUS FLUX		LUMINAIRE EFFICIENCY	SERVICE LIFE	WEIGHT
	Name	Color temperature (K)		Lumen (lm)			
Ra 70	4 000 (B124)	5 000 (T3Q51)	min.	max.	lm/W	L90B10 (hrs.)	Kilogram*
MARUT S G2 ZP01 6k0 7x0 (B124 / T3Q51)	38,3	38,3	5 049	5 586	146	> 100 000	4,0
MARUT S G2 ZP01 9k0 7x0 (B124 / T3Q51)	55,5	55,5	7 574	8 379	151	> 100 000	4,0
MARUT S G2 ZP02 6k0 7x0 (B124 / T3Q51)	38,3	38,3	5 049	5 586	146	> 100 000	4,0
MARUT S G2 ZP02 9k0 7x0 (B124 / T3Q51)	55,5	55,5	7 574	8 379	151	> 100 000	4,0
MARUT S G2 ZP03 6k0 7x0 (B124 / T3Q51)	38,3	38,3	5 049	5 586	146	> 100 000	4,0
MARUT S G2 ZP03 9k0 7x0 (B124 / T3Q51)	55,5	55,5	7 574	8 379	151	> 100 000	4,0
MARUT S G2 ZP06 5k0 7x0 (B124 / T3Q51)	31	31	4 200	4 647	150	> 100 000	4,0
MARUT S G2 ZP06 7k0 7x0 (B124 / T3Q51)	46,6	46,6	5 898	6 525	140	> 100 000	4,0
MARUT S G2 ZL04 6k0 7x0 (B124 / T3Q51)	38,3	38,3	5 049	5 586	146	> 100 000	4,0
MARUT S G2 ZL04 9k0 7x0 (B124 / T3Q51)	55,5	55,5	7 574	8 379	151	> 100 000	4,0
MARUT S G2 ZL06 5k0 7x0(B124 / T3Q51)	31	31	4 200	4 647	150	> 100 000	4,0
MARUT S G2 ZL06 7k0 7x0 (B124 / T3Q51)	46,6	46,6	5 898	6 525	140	> 100 000	4,0
Ra 70							
MARUT L G2 ZP01 9k0 7x0 (B124 / T3Q51)	54,4	54,4	7 638	8 451	155	> 100 000	9,6
MARUT L G2 ZP01 12k0 7x0 (B124 / T3Q51)	68,9	68,9	10 048	11 116	161	> 100 000	9,6
MARUT L G2 ZP01 15k0 7x0 (B124 / T3Q51)	95	95	13 352	14 773	156	> 100 000	9,6
MARUT L G2 ZP02 9k0 7x0 (B124 / T3Q51)	54,4	54,4	7 638	8 451	155	> 100 000	9,6
MARUT L G2 ZP02 12k0 7x0 (B124 / T3Q51)	68,9	68,9	10 048	11 116	161	> 100 000	9,6
MARUT L G2 ZP02 15k0 7x0 (B124 / T3Q51)	95	95	13 352	14 773	156	> 100 000	9,6
MARUT L G2 ZP03 9k0 7x0 (B124 / T3Q51)	54,4	54,4	7 638	8 451	155	> 100 000	9,6
MARUT L G2 ZP03 12k0 7x0 (B124 / T3Q51)	68,9	68,9	10 048	11 116	161	> 100 000	9,6
MARUT L G2 ZP03 15k0 7x0 (B124 / T3Q51)	95	95	13 352	14 773	156	> 100 000	9,6
MARUT L G2 ZL04 9k0 7x0 (B124 / T3Q51)	54,4	54,4	7 638	8 451	155	> 100 000	9,6
MARUT L G2 ZL04 12k0 7x0 (B124 / T3Q51)	68,9	68,9	10 048	11 116	161	> 100 000	9,6
MARUT L G2 ZL04 15k0 7x0 (B124 / T3Q51)	95	95	13 352	14 773	156	> 100 000	9,6
MARUT L G2 ZL06 9k0 7x0 (B124 / T3Q51)	54,4	54,4	7 638	8 451	155	> 100 000	9,6
MARUT L G2 ZL06 12k0 7x0 (B124 / T3Q51)	68,9	68,9	10 048	11 116	161	> 100 000	9,6
MARUT L G2 ZL06 15k0 7x0 (B124 / T3Q51)	95	95	13 352	14 773	156	> 100 000	9,6
* Weight may vary depending on the luminaire variant							
Luminaire ambient temperature TQ 25 °C							
Initial color consistency: ≤ 5 SDCM							
IDA Dark Sky fixture seal of approval relates to ≤ 3 000 K							
To meet IDA requirements, the luminaires must be installed horizontally with the road							
Optical and electrical parameters tolerance ± 10 %							

Four lane road

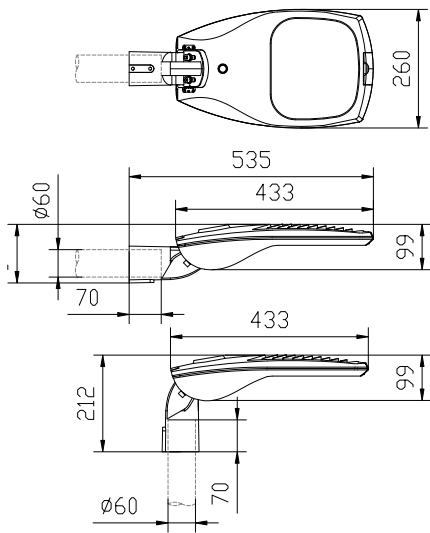


Two lane road

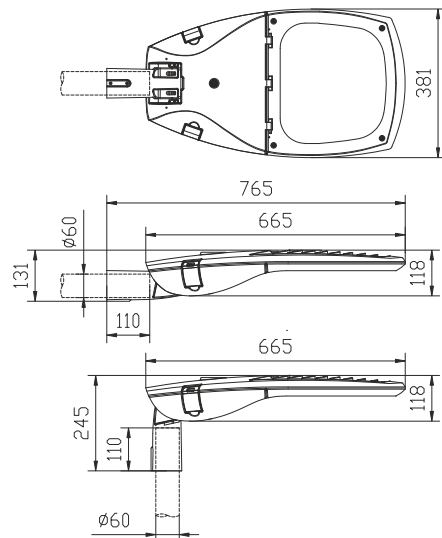


DIMENSIONS

MARUT S G2



MARUT L G2



CODE DESCRIPTION

MARUTS	II	G2	ZP52	9k0	740	T544	45CAZ	SJG	H3S	ENEC		
											Name	
											Class	
											Without marking	Class I
											II	Class II
											Luminaire generation	
											Optical system	
											ZLxx/ZPxx	Pedestrian crossings
											Luminous flux marking (source)	
											Ra 70 / 4 000 K	
											LED module marking	
											T	LED module type
											5	
											4	
											4	Mask type
											Driver type	
											43	OSRAM 4DIM (DALI) + 3 pole terminal block
											45	OSRAM 4DIM (DALI) + 5 pole terminal block
											45P	OSRAM 4DIM (DALI) + 5 pole terminal block + presence detection
											4	OSRAM 4 DIM
											1	OSRAM 1DIM (noDALI)
											D	OSRAM DX – Dexal (for Zhaga connector)
											C	Constant luminous flux (CLO)
											A	AstroDim
											Z	Zhaga connector, 4 pin (Dexal driver)
											N	NEMA connector, 7 pin (4 DIM driver)
											S	Surge protection 10 kV
											J	Fuse 6,3 A
											G	Gesis connector
											H	H05(07)RN-F cable (1 mm ²)
											C	CYKY cable (1,5 mm ²)
											WO	Without cable
											2	2 core cable
											3	3 core cable
											5	5 core cable
											S	Standard – 25 cm length of cable (led out of the luminaire)
											1	1 meter (length in whole meters)
											ENEC certification	