

MARUT XL G2

DATASHEET | SPECIFICATIONS



TECHNICAL SPECIFICATIONS

ELECTRICAL PARAMETERS	
Light source	» LED
AC voltage	» AC 220–240 V / 50–60 Hz
Connection	» leading out cable » leading out cable with connector (G) » without cable (WO)
Driver	» electronic driver with surge protection L/N-Ground 10 kV
Surge protection	» additional surge protection 10 kV (S)
Fuse	» fuse 6,3 A (J)
Dimming	» non-dimmable (not labeled) » DALI (DALI) » night dimming (A) » preparation for wireless communication NEMA (N) » Zhaga (Z)
Constant lumen output	» CLO (C)
LIGHT PARAMETERS	
Optical system	» roads (Mxx) » roads (Lxx) » directional (Pxx) » area (Uxx) » pedestrian crossing (ZLx/ZPx) » combined optics (Kxx)
Light distribution	» direct
Color rendering index	» Ra > 70 » Ra > 80
Color temperature	» AMBER » 2 200 K » 2 700 K » 3 000 K » 4 000 K » 5 000 K
Service life	» > 100 000 hours (L90B10)
CONSTRUCTION	
Housing	» aluminum cast
Color	» RAL 7015/9006
Surface	» matte
Cover	» tempered glass
SAFETY	
Protection class	» I » II
Ambient operating temperature	» -40 / +55 °C
Ingress protection	» IP 66
Impact protection	» IK 09
EMC	» ANO
Vibration test	» ANO
Certification	» ENEC » ENEC+ » Zhaga-D4i » IDA Dark Sky Approved
MOUNTING	
Method	» pole or outrigger (48–60 mm) » adapter (60–76) (on request) » adjustable joint ± 15°
Recommended height	» up to 15 m

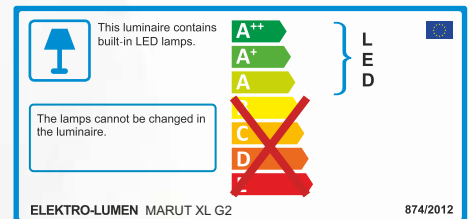
CHARACTERISTIC

Modern outdoor LED luminaire with integrated surge protection and adjustable joint ± 15°.

USE

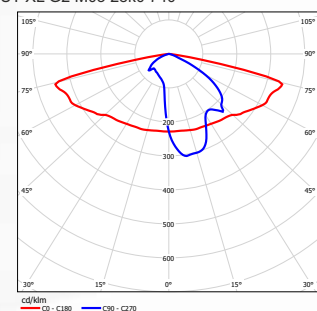
Road classes I. and II.

Outdoor areas



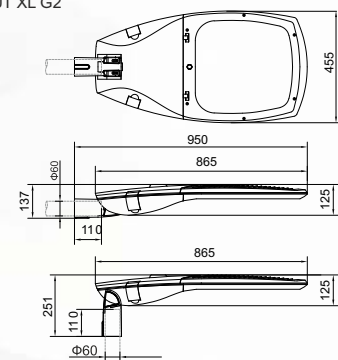
LIGHT DISTRIBUTION CURVE

MARUT XL G2 M03 28k0 740



DIMENSIONS

MARUT XL G2



VARIANTS

DATASHEET MARUT XL G2

VARIANTS (chiip 3535)	WARM WHITE 727			WARM WHITE 730			NEUTRAL WHITE 740			Luminaire efficiency (lm/W)	WEIGHT
	Power consumption (W)	Luminaire output flux (lm)		Power consumption (W)	Luminaire output flux (lm)		Power consumption (W)	Luminaire output flux (lm)			
		min	max		min	max		min	max		
MARUT XL G2 Mxx 14k0	94,8	11 654	12 894	87,5	11 620	12 857	80,2	11 461	12 681	158	15,2
MARUT XL G2 Mxx 18k0	119	14 682	16 244	119	15 017	16 615	110,8	15 142	16 753	151	15,2
MARUT XL G2 Mxx 24k0	159,4	20 078	22 214	159	20 028	22 159	149	20 196	22 344	150	15,2
MARUT XL G2 Mxx 28k0	189,6*	23 308	25 787	175	23 241	25 713	160,4	22 923	25 361	158	15,2
MARUT XL G2 Mxx 30k0	203,4*	24 914	27 564	189*	24 981	27 638	177,6	25 182	27 861	157	15,2
MARUT XL G2 Mxx 36k0*	—	—	—	238	30 034	33 229	221,6	30 285	33 507	151	15,2

VARIANTS (chip 5050)	WARM WHITE 727			WARM WHITE 730			NEUTRAL WHITE 740			Luminaire efficiency (lm/W)	WEIGHT
	Power consumption (W)	Luminaire output flux (lm)		Power consumption (W)	Luminaire output flux (lm)		Power consumption (W)	Luminaire output flux (lm)			
		min	max		min	max		min	max		
MARUT XL G2 Mxx 14k0	79,7	12 032	12 555	79,7	12 597	13 146	72,4	12 233	12 765	169	15,2
MARUT XL G2 Mxx 18k0	106	16 038	16 736	102,1	15 735	16 420	97,1	15 744	16 968	162	15,2
MARUT XL G2 Mxx 24k0	147,2	21 318	22 246	137	20 980	21 894	132	20 992	22 624	159	15,2
MARUT XL G2 Mxx 26k0	150	23 043	24 046	142	23 061	24 065	134	22 993	24 780	172	15,2
MARUT XL G2 Mxx 28k0	164	24 954	26 041	157	25 203	26 300	142	24 152	26 028	170	15,2
MARUT XL G2 Mxx 30k0	177	26 492	27 645	172	27 310	28 499	157	26 389	28 440	168	15,2
MARUT XL G2 Mxx 36k0				204*	31 471	32 841	194,2*	31 488	33 935	162	15,2

* Can not be produced under ENEC licence

** Weight may vary depending on the luminaire variant

Luminaire ambient temperature TQ 25 °C

Initial color consistency: ≤ 5 SDCM

Optical and electrical parameters tolerance ± 10 %

When using the CLO function, the initial power and luminous flux is 10 % lower than the value shown in the table. LDT curves with CLO function have the letter "C" at the end of their marking.

CODE DESCRIPTION

MARUT XL	II	G2	M01	28k0	730	B124	45CAZ	SJG	H3S	ENEC		
											Name	
											Class	
											Without marking	Class I
											II	Class II
											Luminaire generation	
											Optical system	
											M01	Roads
											L01	Roads
											P01	Directional
											U01	Area
											ZP1/ZL1	Pedestrian crossings
											K01	Combined optics
											Luminous flux marking (source)	
											Ra 70 / 3 000 K	
											LED module marking	
											B	LED module type
											1	
											2	
											4	Mask type
											Driver type	
											43	OSRAM 4DIM (DALI) + 3 pole terminal block
											45	OSRAM 4DIM (DALI) + 5 pole terminal block
											45P	OSRAM 4DIM (DALI) + 5 pole terminal block + presence detection
											4	OSRAM 4 DIM
											1	OSRAM 1DIM (noDALI)
											D	OSRAM DX – Dexal (for Zhaga connector)
											C	Constant luminous flux (CLO)
											A	AstroDim
											Z	Zhaga connector, 4 pin (Dexal driver)
											N	NEMA connector, 7 pin (4 DIM driver)
											S	Surge protection 10 kV
											J	Fuse 6,3 A
											G	Gesis connector
											H	H05(07)RN-F cable (1 mm ²)
											C	CYKY cable (1,5 mm ²)
											WO	Without cable
											2	2 core cable
											3	3 core cable
											5	5 core cable
											S	Standard – 25 cm length of cable (led out of the luminaire)
											1	1 meter (length in whole meters)
											ENEC certification	